



**POLICON**  
*Engineering & Manufacturing*

# *Loading cabinet*

# Loading cabinet

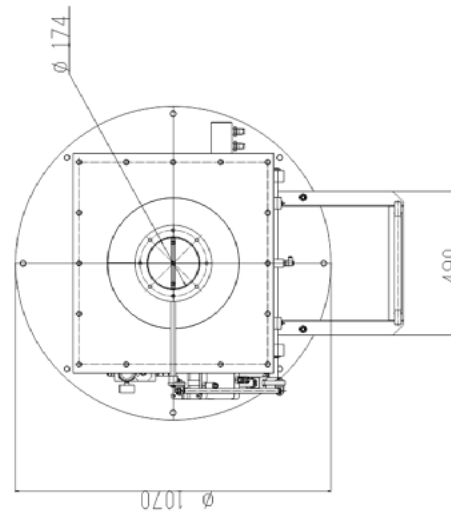
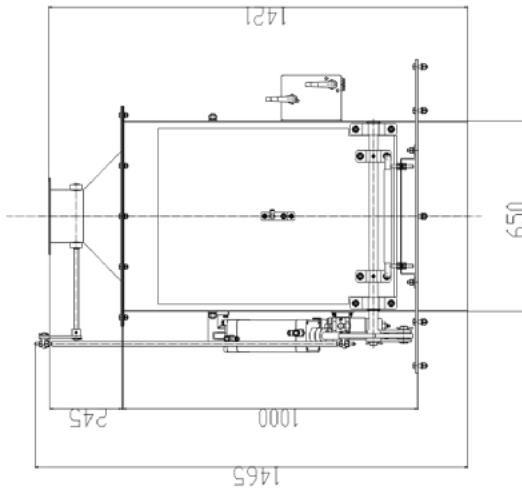
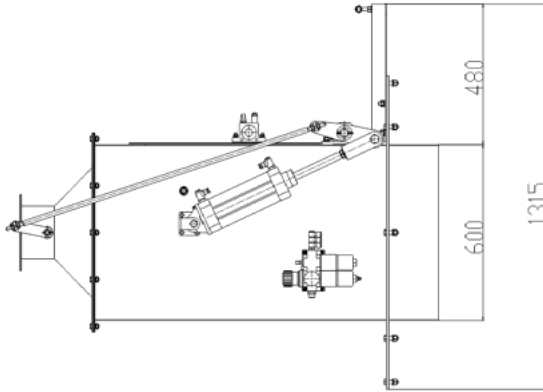
The loading cabinet is designed for loading bulk components of rubber compounds from bags into consumables in the preparatory production of tire, cable, asbestos factories and rubber technical factories.



## Features:

- A grill is installed on the bottom of the cabinet to prevent parts of the packaging from entering the hopper.
- The ventilation flap for dust extraction is interlocked with the folding table.
- a vibrator is installed on the folding table.
- the folding table has a tight seal.

# Loading cabinet





## Technical Specification:

Productivity, bags / min, not less .....	1
Internal volume of the Cabinet, m3 .....	0,45
Compressed air pressure in the pneumatic system, MPa,.....	0,4 – 0,6
Compressed air consumption, m3 / hour, no more .....	0,6
Overall dimensions, mm, no more	
length .....	1 560
width .....	1 070
height .....	1 465
Weight, kg, no more .....	210

This product can be manufactured according to the technical specifications of the customer, taking into account its predetermined parameters and features.

**Full cycle engineering services**

**Food Machinery**

**Machinery for tires, rubber, plastics manufacturing**

**Machinery for the chemical and oil and gas industry**

**Machinery for the perfumery and cosmetic industry**

**Modernization and automation of production**

**Non-standart equipment**

**Production of spare parts, components, assemblies**

**Outsourcing services - repair and maintenance of equipment**



**Policon JSCo**

**194 Lermontov Str, Omsk 644009, Russia**

**Tel./Fax: +7 (3812) 36 74 12, 36 74 02, 48 48 30**

**e-mail: [info@policon-rt.ru](mailto:info@policon-rt.ru)**

**[www.policon-rt.ru](http://www.policon-rt.ru)**